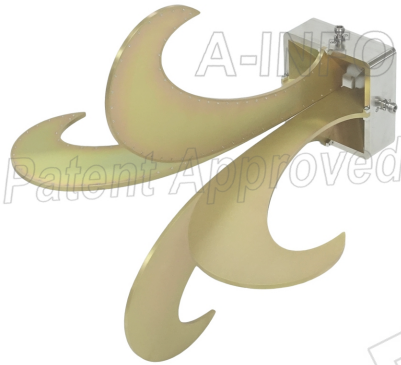


For reference only. See data sheet for the detailed specifications.

Technical Specification

Frequency Range(GHz)	0.4 – 8.0
Gain(dBi)	12 Typ.
Polarization	Dual Linear
3dB Beamwidth(deg)	E Plane: 90 - 25
	H Plane: 150 - 22
Cross Pol. Isolation(dB)	30 Typ. ; 20 Min.
Port to Port Isolation(dB)	35 Typ. ; 30 Min.
VSWR	2.0:1 Typ.
Connector	N-Female or SMA-Female or 3.5mm-Female
Power Handling(W CW)	N-Female: 50 Max.
	SMA-Female: 50 Max.
	3.5mm-Female: 50 Max.
Material	Al
Finish	Chemical Conversion Coating and Nickel Plated
Size(mm)	524.2 x 524.2 x 481.1
Net Weight(Kg)	3.95 Around



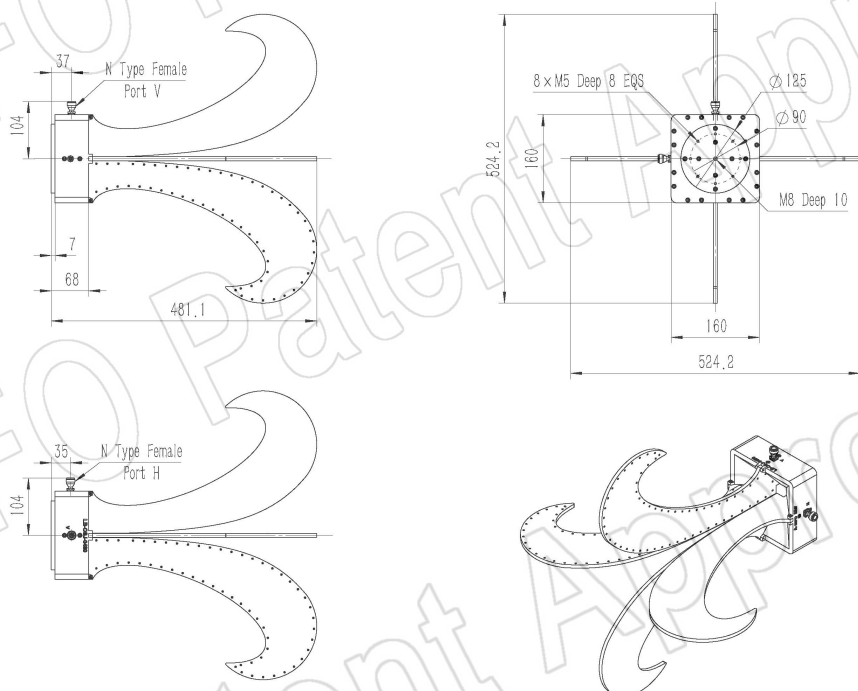
PATENT ID (China)

ZL201921371926.6, ZL201930458720.6

Outline Drawing (Size: mm)

N-Female Output (P/N: LB-OSJ-0480-SF)

For SMA-Female or 3.5mm-Female output outline drawing, please contact A-INFO



AINFO Inc.

China(Beijing):
China(Chengdu):
USA :

Tel: (+86) 10-6266-7326,
Tel: (+86) 28-8519-2786,
Tel: (+1) 949-639-9688,

(+86) 10-6266-7327
(+86) 28-8519-3044
(+1) 949-639-9608

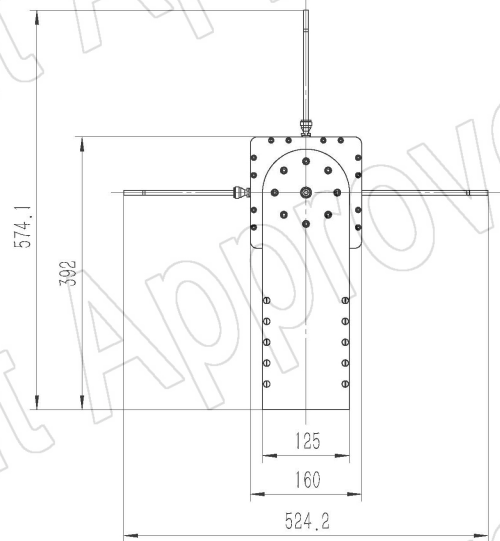
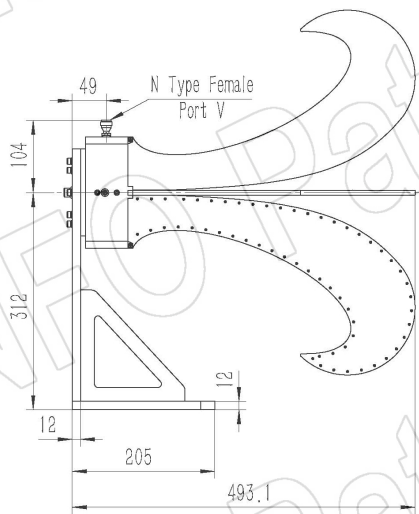
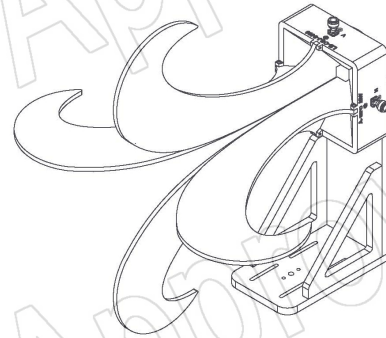
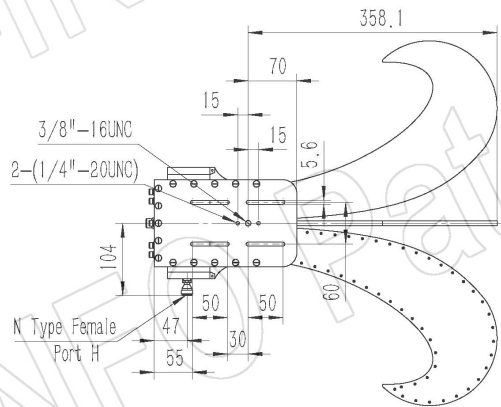
Page 1 of 8

Fax: (+86) 10-6266-7379
Fax: (+86) 28-8519-3068
Fax: (+1) 949-639-9670

Website: www.ainfoinc.com
Email: sales@ainfoinc.com

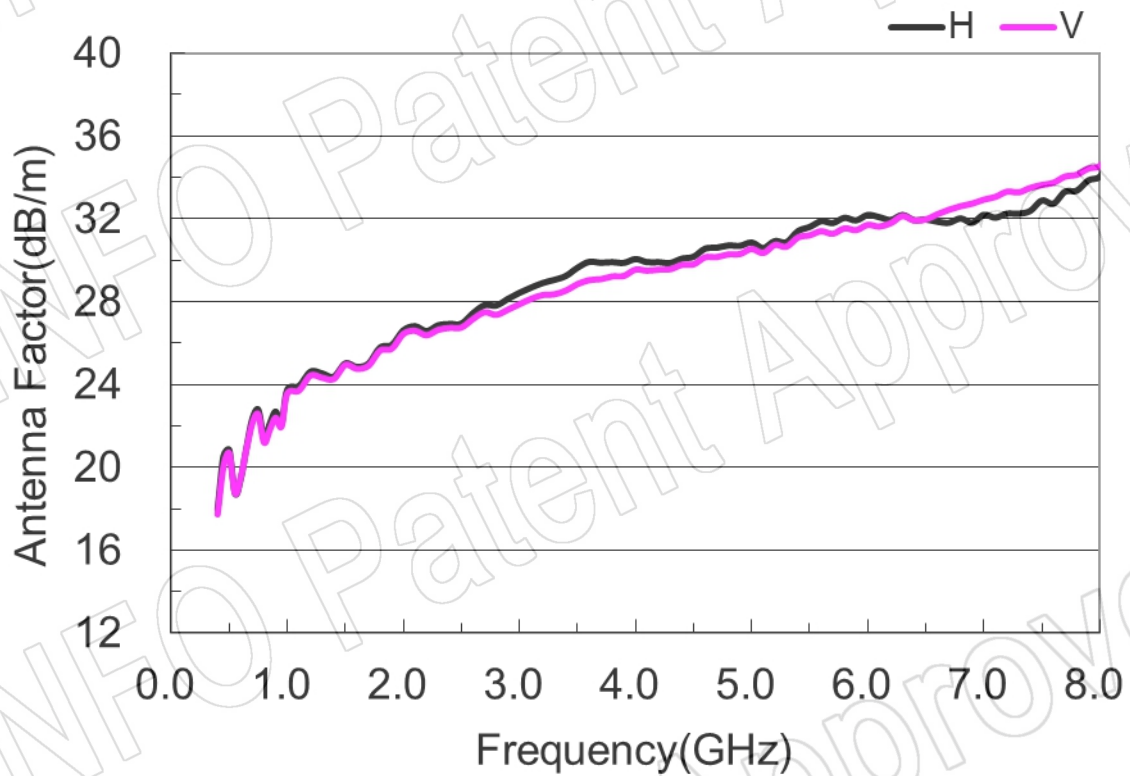
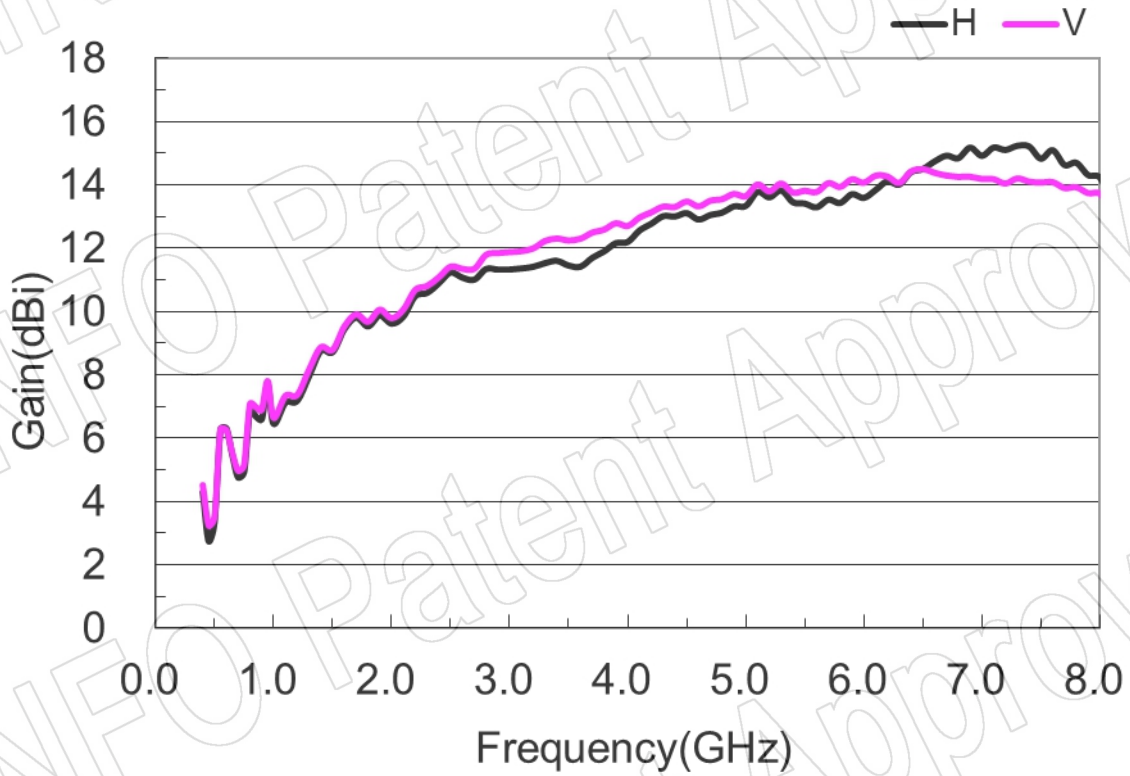
N-Female Output with L Type Mounting Bracket (Option, P/N: LB-OSJ-0380-L)

For SMA-Female or 3.5mm-Female output outline drawing, please contact A-INFO

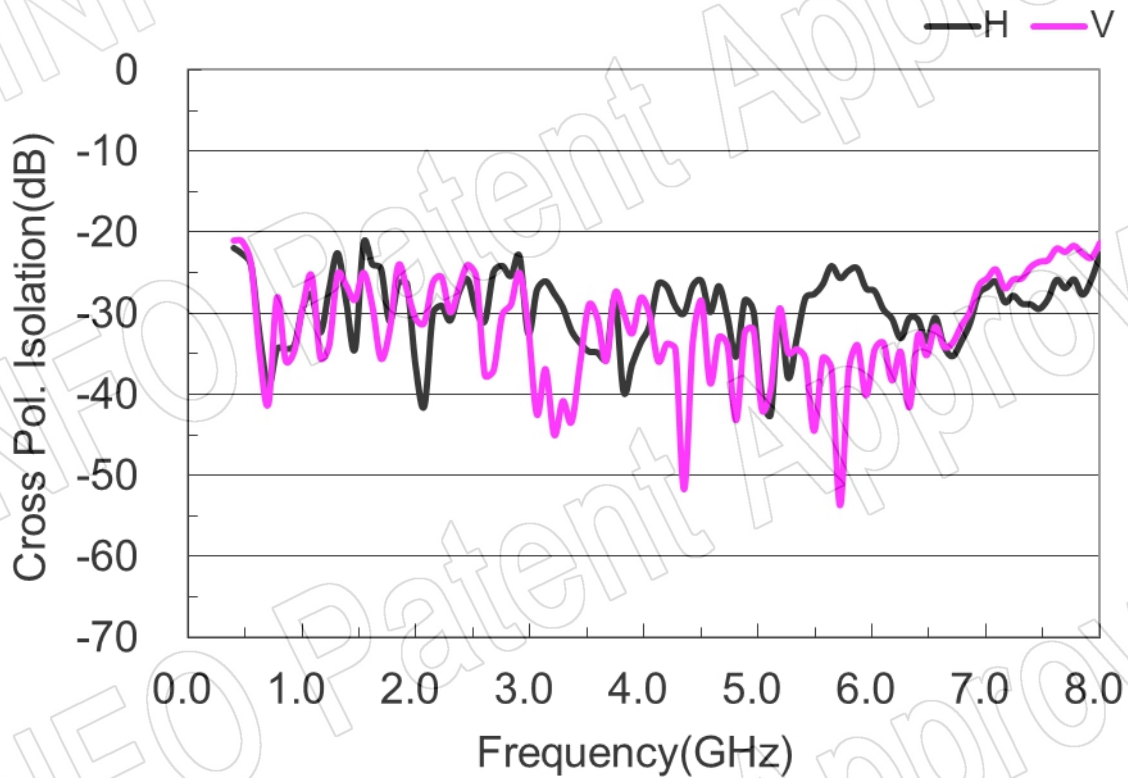


Test Results

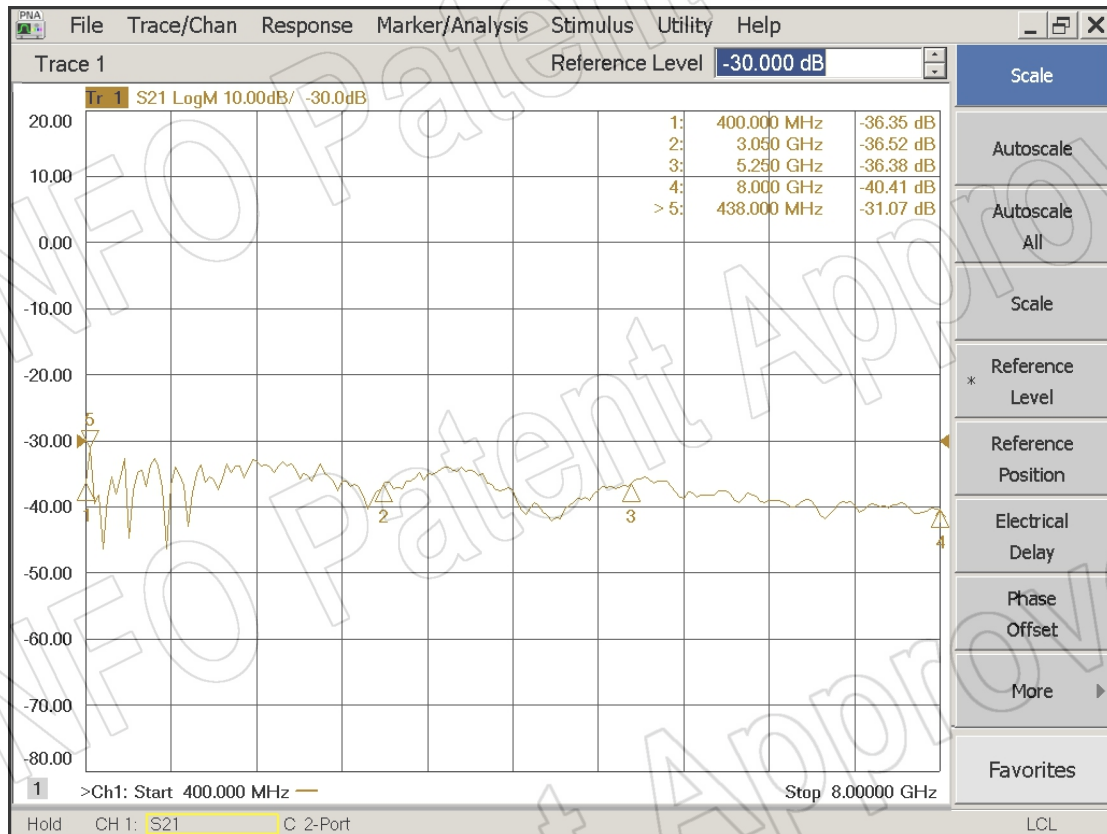
1. Gain & Antenna Factor



2. Cross Polarization Isolation

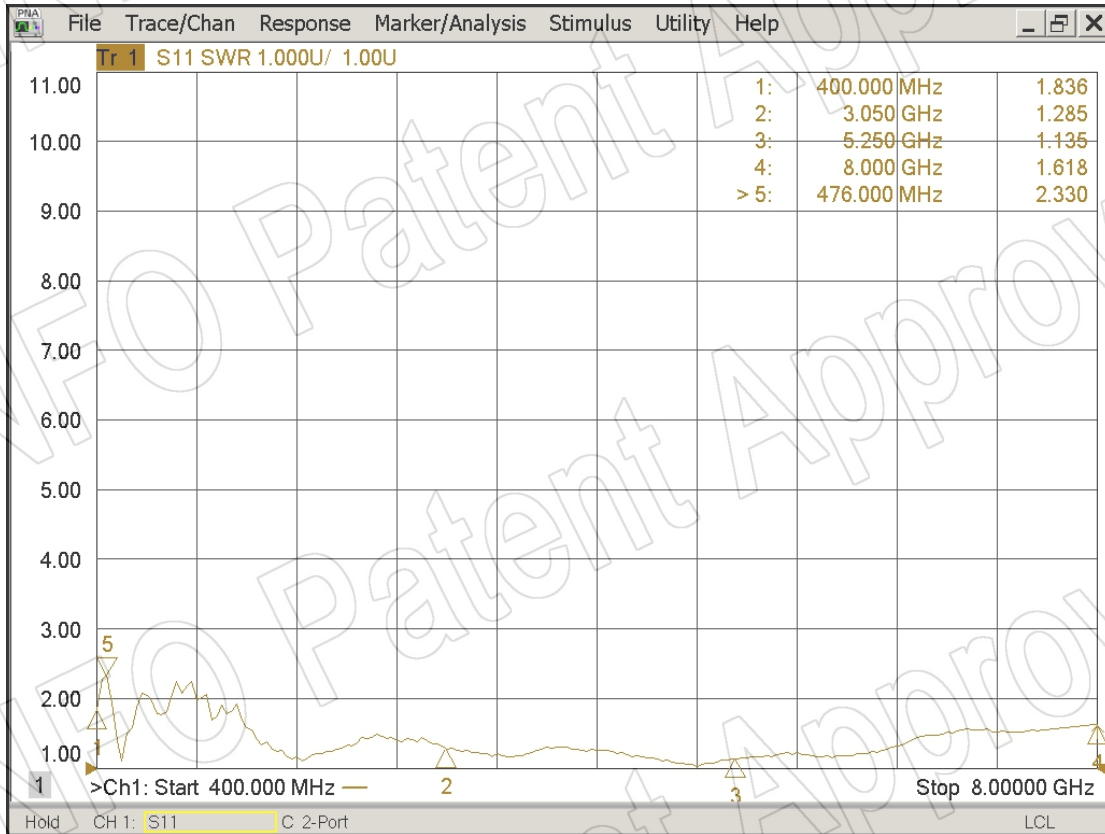


3. Port to Port Isolation

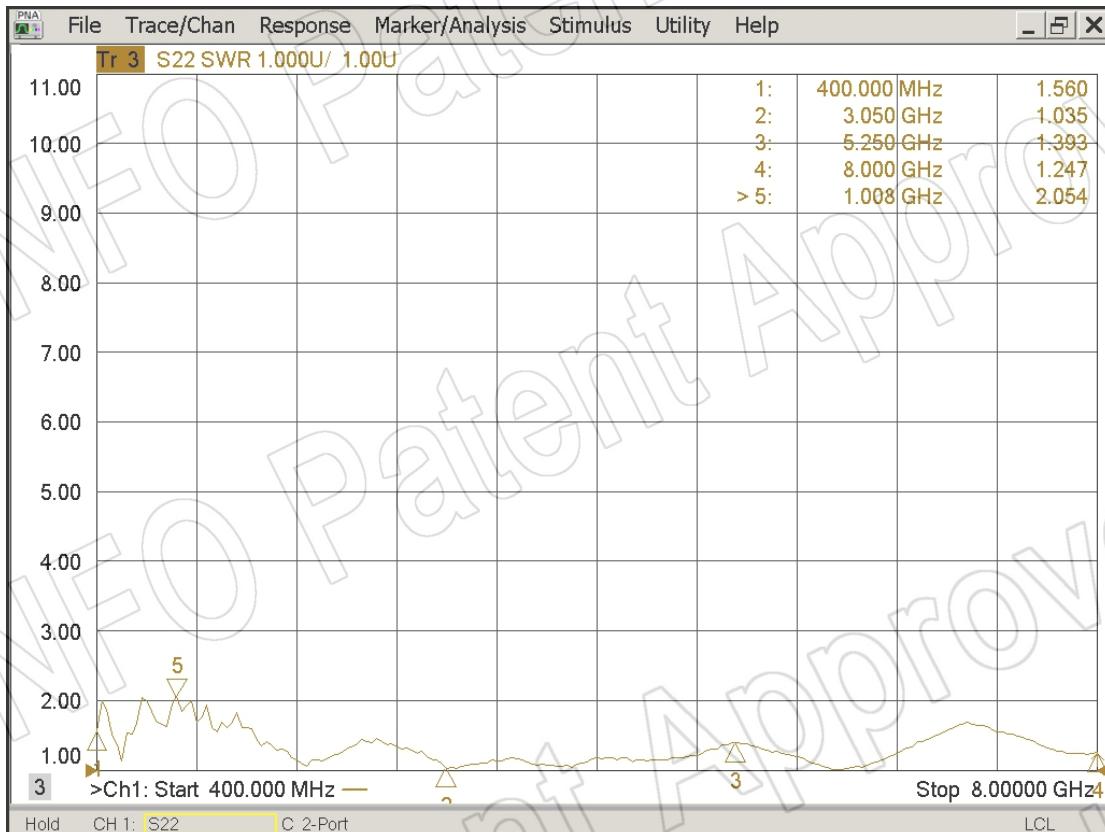


4. VSWR

Port-H



Port-V



5. Pattern

